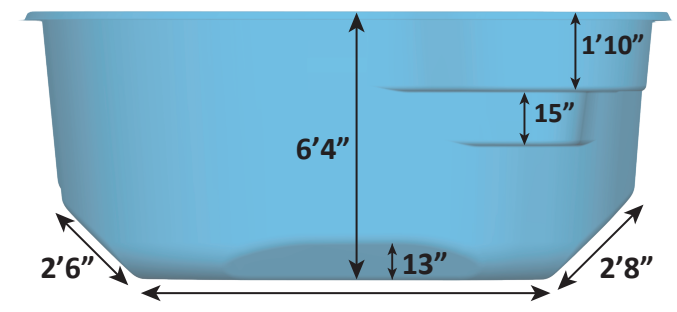
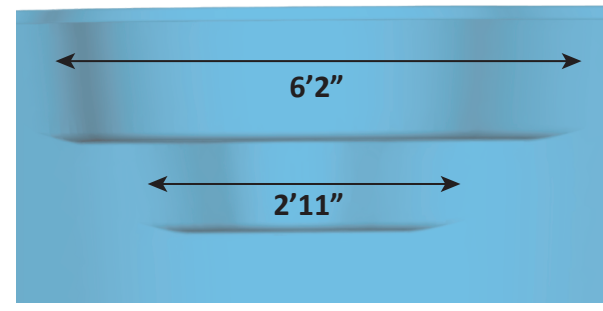
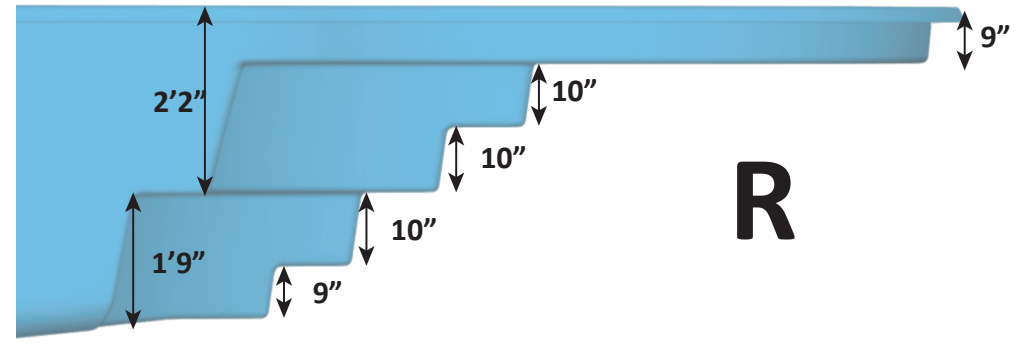
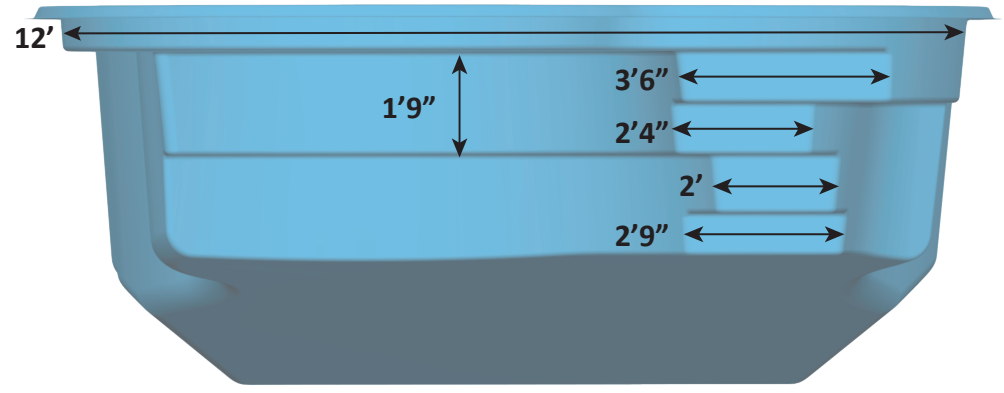
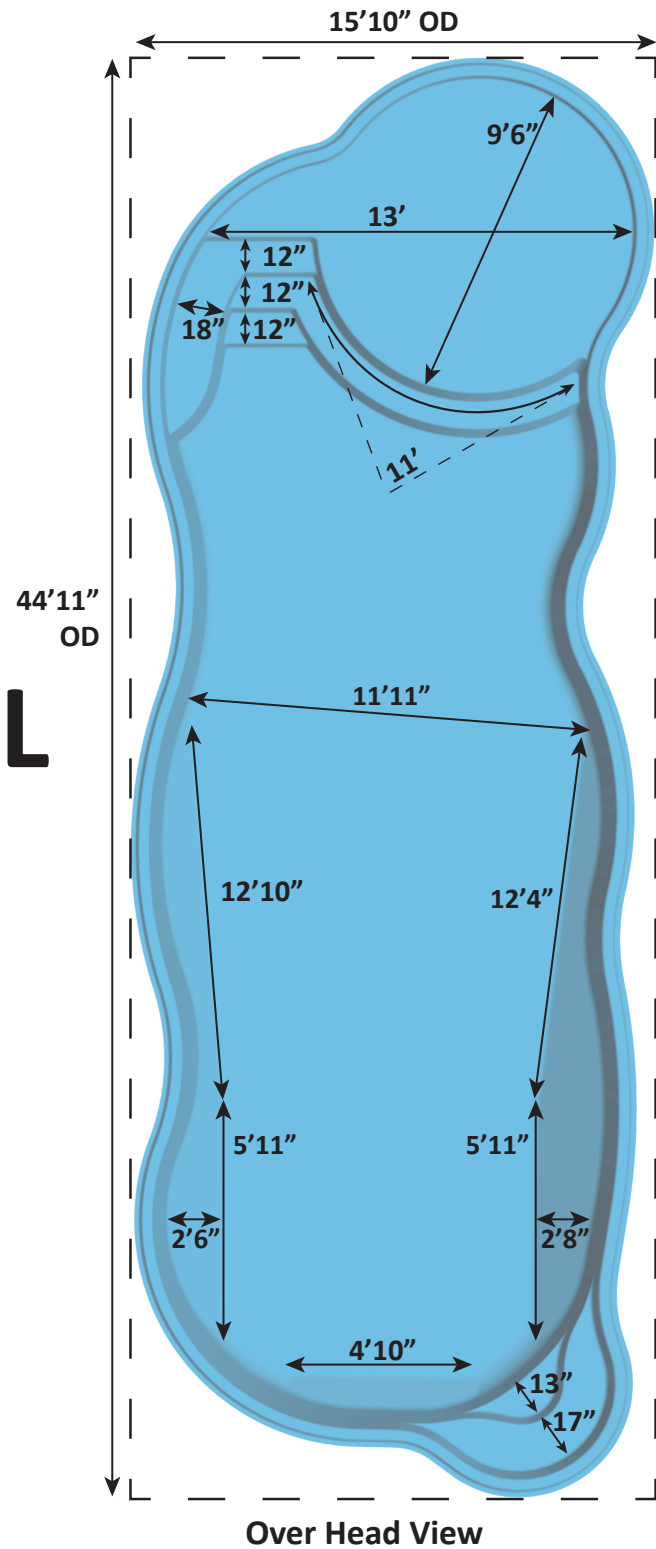


SOUTH BEACH DETAIL SHEET - 10-26-21 - REVISION 02

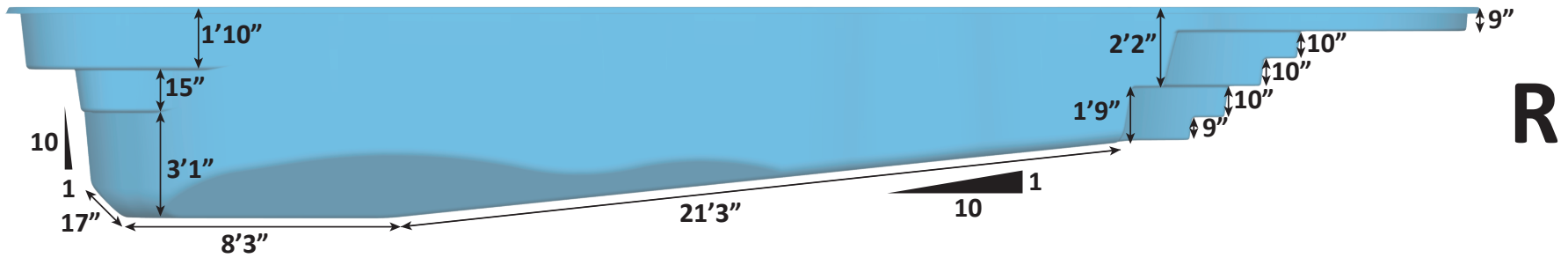
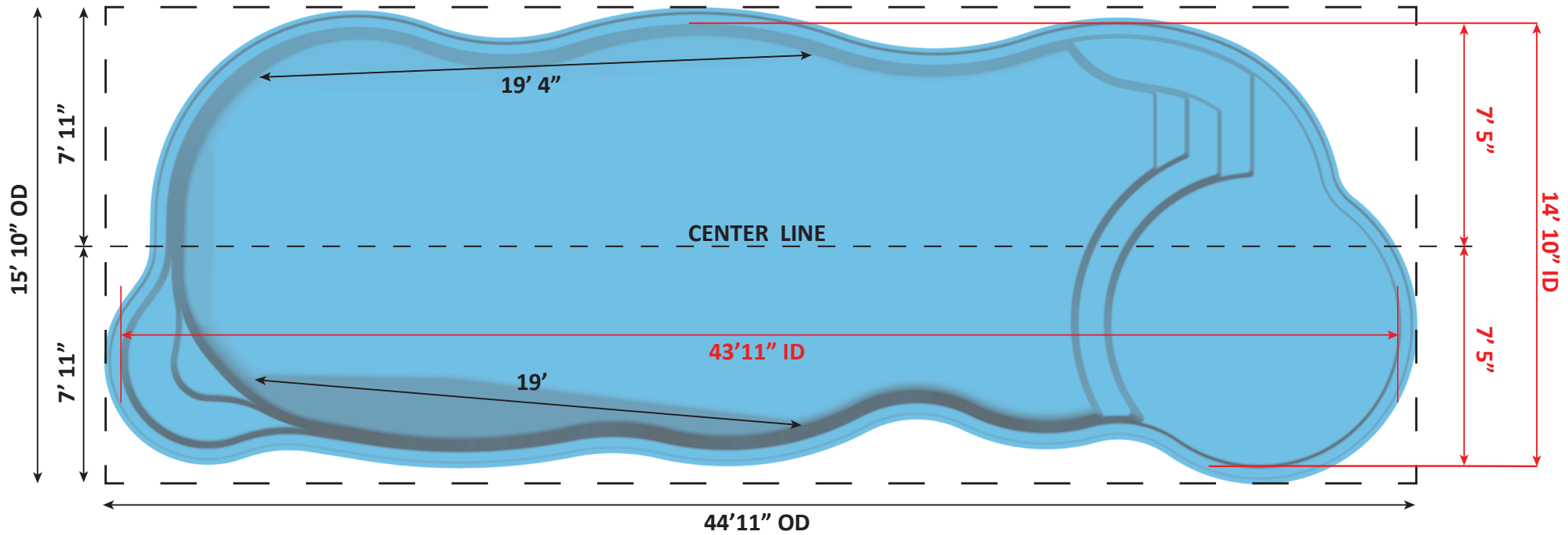


USA Specifications

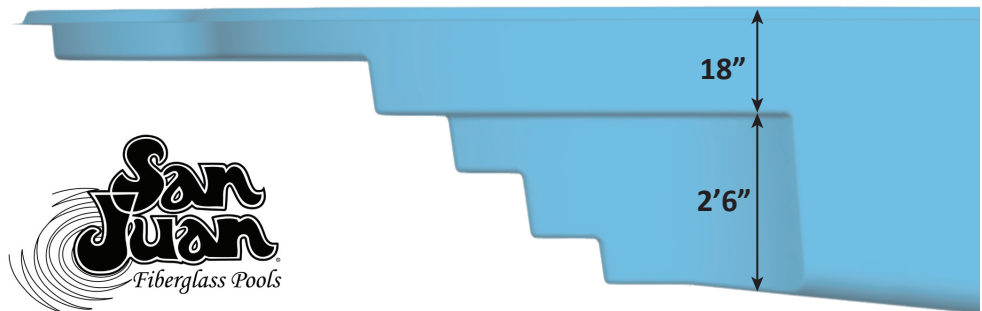
Surface Area: 563 Sq. ft.
 Perimeter: 107 Lin. ft.
 Volume: 17,741 Gal.
 Per sect. 8.1, surfaces that provide footing have slip resistant surfaces.
 All measurements are averages.



SOUTH BEACH DETAIL SHEET - 10-26-21 - REVISION 02



R



L

USA Specifications



Surface Area: 563 Sq. ft.
 Perimeter: 107 Lin. ft.
 Volume: 17,741 Gal.
 Per sect. 8.1, surfaces that provide footing have slip resistant surfaces.
 All measurements are averages.

